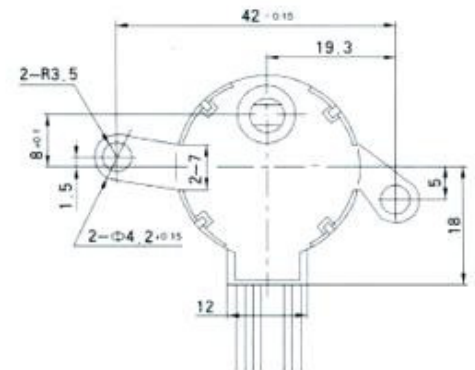
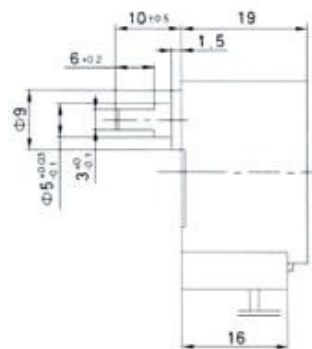


28BYJ48

Model	Rated Voltage (DCV)	Resistance Ω/Phase (at25℃)	Max.Free-load Pull-in Frequency (PPS)	Max.Free-load Pull-out Frequency (PPS)	Pull-in Torque(mN.m)	Operation Frequency (PPS)	Detent Torque (mN.m)	Temperature Rise(K)	Noise (dB)	Step Angle (1-2phase)	Insulation Class
28BYJ48	5	60	≥500	≥900	≥29.4	100	≥29.4	≤40	≤35	5.625°/64	E
28BYJ48	12	130	≥500	≥900	≥44.1	100	≥29.4	≤40	≤35	5.625°/64	E
28BYJ48	12	200	≥500	≥900	≥34.3	100	≥29.4	≤40	≤35	5.625°/64	E
28BYJ48	12	250	≥500	≥900	≥34.3	100	≥29.4	≤40	≤35	5.625°/64	E
28BYJ48	12	300	≥500	≥900	≥34.3	100	≥29.4	≤40	≤35	5.625°/64	E
28BYJ48	12	320	≥500	≥900	≥29.4	100	≥29.4	≤40	≤35	5.625°/64	E
28BYJ48	12	380	≥500	≥900	≥29.4	100	≥29.4	≤40	≤35	5.625°/64	E



28BYJ48

Model	Rated Voltage (DCV)	Resistance Ω/Phase (at25℃)	Max.Free-load Pull-in Frequency (PPS)	Max.Free-load Pull-out Frequency (PPS)	Pull-in Torque (mN.m)	Operation Frequency (PPS)	Detent Torque (mN.m)	Temperature Rise (K)	Noise (dB)	Step Angle (1-2phase)	Insulation Class
28BYJ48	5	60	≥500	≥900	≥29.4	100	≥29.4	≤40	≤35	5.625°/64	E
28BYJ48	12	130	≥500	≥900	≥44.1	100	≥29.4	≤40	≤35	5.625°/64	E
28BYJ48	12	200	≥500	≥900	≥34.3	100	≥29.4	≤40	≤35	5.625°/64	E
28BYJ48	12	250	≥500	≥900	≥34.3	100	≥29.4	≤40	≤35	5.625°/64	E
28BYJ48	12	300	≥500	≥900	≥34.3	100	≥29.4	≤40	≤35	5.625°/64	E
28BYJ48	12	320	≥500	≥900	≥29.4	100	≥29.4	≤40	≤35	5.625°/64	E
28BYJ48	12	380	≥500	≥900	≥29.4	100	≥29.4	≤40	≤35	5.625°/64	E