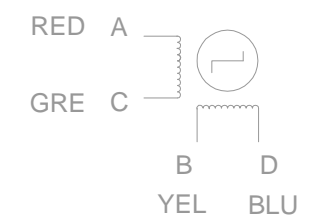
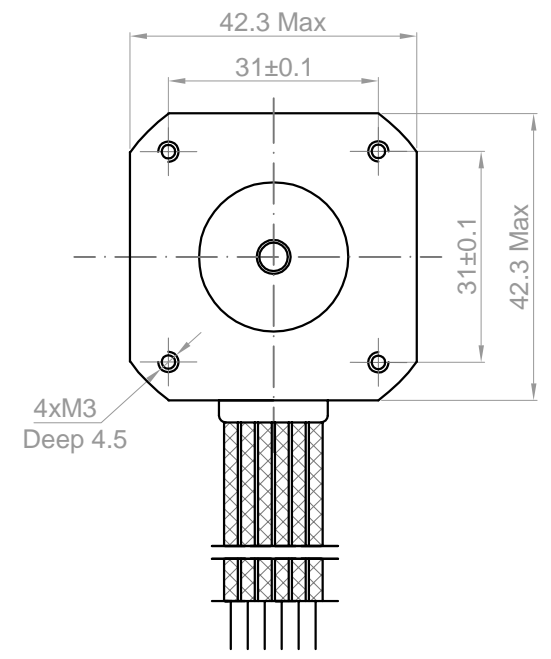
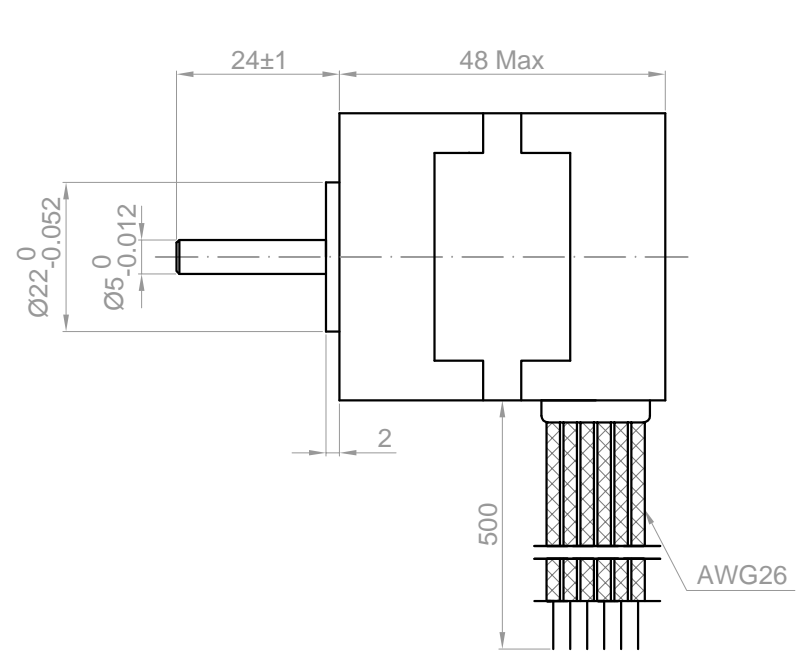


Rev.	Description	Date
01	Release for Production	08/28/2012



NO.	Item	Specification	NO.	Item	Specification
1	Step Angle	$1.8^\circ \pm 5\%$	7	Holding Torque	4.8 Kg.cm Max
2	Rated Voltage	8 V	8	Insulation Class	B
3	Current Per Phase	0.5 A	9	Insulation Resistance	$100 \text{ m}\Omega < 500 \text{ V DC}>$
4	Resistance Per Phase	$19 \Omega \pm 10\%$	10	Rotor Inertia	82 g.cm^2
5	Inductance Per Phase	$32 \text{ mH} \pm 20\%$			
6	Number of Phase	2			

Drawn	Feny	08/28/2012	Kysan Electronics www.kysanelectronics.com info@kysanelectronics.com		
Checked	Sara	08/28/2012			
Eng Appr.					
Mfg Appr.					
Q.A.					
SKU	1124033		Size : A4	Weight(Kg): 0.34	Unit: mm
			Scale: 2:1		Sheet 1 of 1